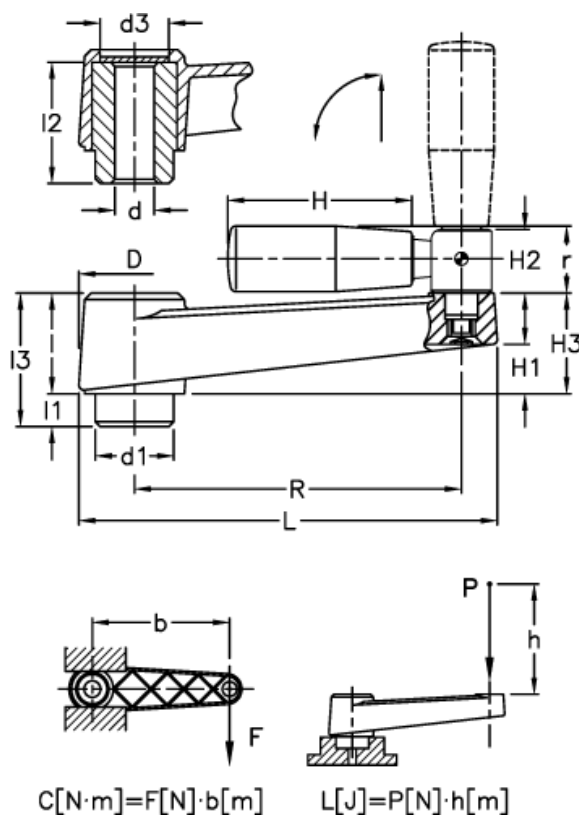


Data Sheet



Article number: 2301044521
 Description: E+G Crank handle
 MT.160+IR-A16

Measures



C (N m) = 450	H3 = 40	R = 160
D = 45	l = 40	
d1 = 34	L = 198	
d3 = 27	L (J) = 55	
d H7 = 16	l1 = 15	
H = 80	l2 = 49	
H1 = 23	l3 = 55	
H2 = 20	r = 24	